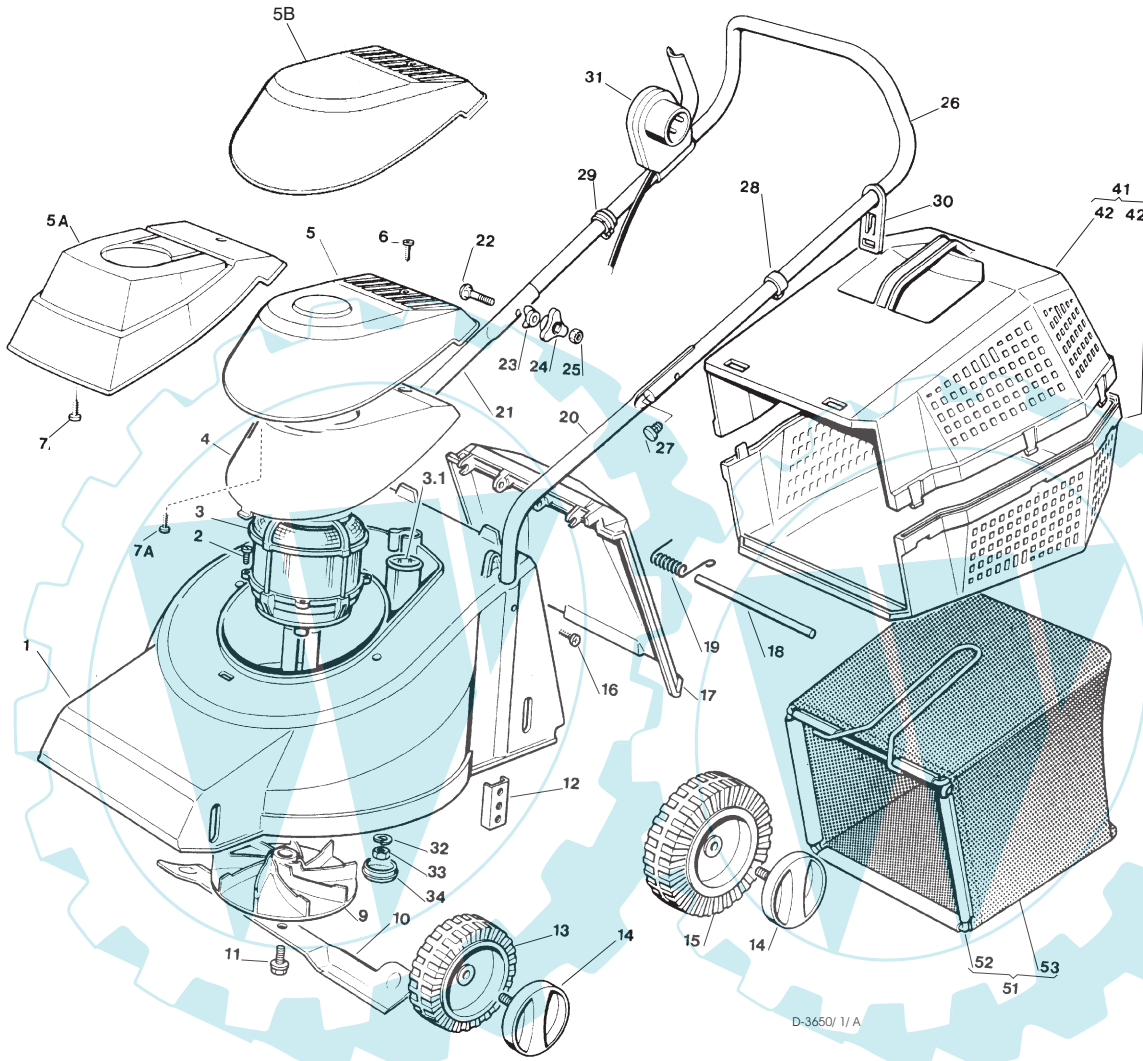


K 350



SPARE PARTS CATALOGUE
ERSATZTEILKATALOG
CATALOGO DELLE PARTI DI RICAMBIO
CATALOGUE DES PIÈCES DE RECHANGE

T33650/1/A

Pos. Nr.	Codice Code Kodex	Q.tà Q.ty-Q.tè Menge	Descrizione	Description	Description	Beschreibung
1			CHASSIS	DECK	CHÂSSIS	GEHÄUSE
—	81001036/ 1	1	ROSSO	RED	ROUGE	ROTES
—	81001037/ 1	1	GIALLO	YELLOW	JAUNE	GELBES
—	81001015/ 1	1	VERDE	GREEN	VERT	GRÜNES
2	12735410/ 0	4	VITE	SCREW	VIS	SCHRAUBE
3			MOTORE	MOTOR	MOTEUR	MOTOR
—	18563064/ 0	1	IBMEI 900W (230V)	IBMEI 900W (230V)	IBMEI 900W (230V)	IBMEI 900W (230V)
—	18563066/ 0	1	IBMEI 900W (240V)	IBMEI 900W (240V)	IBMEI 900W (240V)	IBMEI 900W (240V)
—	18563011/ 0	1	RST 800W (220-230V)	RST 800W (220-230V)	RST 800W (220-230V)	RST 800W (220-230V)
—	18563007/ 2	1	RST 900W (220-230V)	RST 900W (220-230V)	RST 900W (220-230V)	RST 900W (220-230V)
3.1	18222034/ 0	1	CONDENSATORE 8µF	CONDENSER 8µF	CONDENSEUR 8µF	KONDENSATOR 8µF
4	22055032/ 0	1	SUP. CAPOTTINA	COVER SUPPORT	SUPPORT CAPOT	HAUBEHALTER
5	81002006/ 0	1	ASS. CAPOTTINA	COVER ASS.Y	ENS. CAPOT	KOMPLETTE HAUBE
5A	22055037/ 1	1	CAPOTTINA	COVER	CAPOT	HAUBE
5B	22055059/ 0	1	CAPOTTINA	COVER	CAPOT	HAUBE
6	12728680/ 0	1	VITE	SCREW	VIS	SCHRAUBE
7	12728450/ 0	1	VITE	SCREW	VIS	SCHRAUBE

Pos. Nr.	Code Code Kodex	Q.tà Q.ty-Q.tè Menge	Descrizione	Description	Description	Beschreibung
7A	12728680/0	1	VITE	SCREW	VIS	SCHRAUBE
8	22167700/0	4	DISTANZIALE	SPACER	ENTRETOISE	DISTANZRING
9	22465602/0	1	MOZZO	HUB	MOYEU	NABE
10	☛		COLTELLO	BLADE	LAME	MESSER
—	81004115/1	1	STANDARD	STANDARD	STANDARD	STANDARD
—	81004116/0	1	ALETTATO	WINGED	AILETTÉE	FLÜGEL
11	81004352/0	1	VITE	SCREW	VIS	SCHRAUBE
12	22785087/1	4	SUPP. RUOTE	WHEELS SUPPORT	SUPPORT ROUE	RADHALTER
13	22686081/0	2	RUOTA Ø 130	WHEEL Ø 130	ROUE Ø 130	RAD Ø 130
14	☛		COPRIMOZZO	HUB CAP	COUVRE-MOYEU	RADKAPPE
—	81004348/0	4	BIANCO	WHITE	BLANC	WEIßE
—	81004347/0	4	GIALLO	YELLOW	JAUNE	GELBE
—	81004354/0	4	ROSSO	RED	ROUGE	ROTE
15	22686082/0	2	RUOTA Ø 160	WHEEL Ø 160	ROUE Ø 160	RAD Ø 160
16	12728450/0	2	VITE	SCREW	VIS	SCHRAUBE
17	22600024/1	1	PARASSASSI	STONE-GUARD	PARE-PIERRES	PRALLBLECH
18	22512530/0	1	PERNO	PIN	PIVOT	BOLZEN
19	22450250/0	1	MOLLA	SPRING	RESSORT	FEDER
20	81006940/0	1	MANICO INF. SX	L. LOWER HANDLE	MANCHERON INF. G.	L. UNTERHOLM
21	81006939/0	1	MANICO INF. DX	R. LOWER HANDLE	MANCHERON INF. D.	R. UNTERHOLM
22	12819120/0	2	VITE	SCREW	VIS	SCHRAUBE
23	22680006/1	2	RONDELLA	WASHER	RONDELLE	SCHLEIBE
24	22399900/0	2	MANOPOLINA	KNOB	POIGNÉE	GRIFF
25	12293200/0	2	DADO	NUT	ECROU	MUTTER
26	81006941/2	1	PARTE SUP. MANICO	UPPER HANDLE	PARTIE SUP. MANCHERON	OBERRHOLM
27	18566112/0	2	TAPPO	CAP	BOUCHON	GUMMISTOPFEN
28	22192151/0	1	FERMACAVO	FAIRLEAD	FIXATION CABLE	KABELBEFESTIGUNG
29	22192000/1	1	FASCETTA ANCORAGGIO	ANCHOR CLAMP	COLLIER ANCRAGE	BOWDENZUGHALTER
30	22195101/1	1	FERMACAVO	FAIRLEAD	FIXATION CABLE	KABELBEFESTIGUNG
31	☛		SALVAMOTORE M.M.	DEAD HAND SWITCH M.M.	INT. MAIN MORTE M.M.	TOT MANSCHALTER M.M.
—	18710629/0	1	5 A 602 MS (900W IBMEI)	5 A 602 MS (900W IBMEI)	5 A 602 MS (900W IBMEI)	5 A 602 MS (900W IBMEI)
—	18710630/0	1	5 A 603 MS (900W IBMEI)	5 A 603 MS (900W IBMEI)	5 A 603 MS (900W IBMEI)	5 A 603 MS (900W IBMEI)
—			SOLO PER SVIZZERA	ONLY FOR SWITZERLAND	SEULEMENT POUR LA SUISSE	NUR FÜR SCHWEIZ
—	18710631/0	1	5 A 607 MS (900W IBMEI)	5 A 607 MS (900W IBMEI)	5 A 607 MS (900W IBMEI)	5 A 607 MS (900W IBMEI)
—	18710611/1	1	6,5 A 602 MS (900W RST)	6,5 A 602 MS (900W RST)	6,5 A 602 MS (900W RST)	6,5 A 602 MS (900W RST)
—	18710625/1	1	6,5 A 603 MS (900W RST)	6,5 A 603 MS (900W RST)	6,5 A 603 MS (900W RST)	6,5 A 603 MS (900W RST)
—			SOLO PER SVIZZERA	ONLY FOR SWITZERLAND	SEULEMENT POUR LA SUISSE	NUR FÜR SCHWEIZ
—	18710626/1	1	SENZA PROT. TERMICA 603 MS	603 MS WITHOUT OVERLOAD PROTECTION	603 MS SANS PROTECTION TERMIQUE	603 MS OHNE THERMISCHER SHUTZ
—	18710627/0	1	SENZA PROT. TERMICA 603 MS	603 MS WITHOUT OVERLOAD PROTECTION	603 MS SANS PROTECTION TERMIQUE	603 MS OHNE THERMISCHER SHUTZ
32	12540260/0	1	GROWER	GROWER	GROWER	FEDERRING
33	12293200/0	1	DADO	NUT	ECROU	MUTTER
34	22110275/0	1	TAPPO	CAP	BOUCHON	GUMMISTOPFEN
41	97004000/0	1	SACCO COMPLETO	COMPLETE GRASS-BOX	BAC COMPLET	KOMPLETTER KORB
42	22486040/0	2	PARTE INF.-SUP. SACCO	UPPER. LOWER GRASS-BOX	PARTIE SUP.-INF. SAC	OBER-UNTERKORB
51	97006000/0	1	ASS. SACCO TELA	CANVASS GRASSCATCHER	ENSEMBLE SAC EN TOILE	KOMPLETTER SACK
52	81006414/0	1	TELAIO	CHASSIS	CHASSIS	RAHMEN
53	81002103/0	1	TELA SACCO	FABRIC BOX	TOILE POUR SAC	TUCK FÜR SACK
—	81008592/0	1	DOTAZIONE VITERIA	SCREWS OUTFIT	DOTATION VISSERIE	SCHRAUBEN SATZ